



© AGROB BUCHTAL

# STILTED SYSTEMS

Pedestal bearing and frame  
systems for outdoor coverings

Sicher besser.

**GUTJAHR** 

# ADVANTAGES OF THE STACKED INSTALLATION

Especially in combination with ever larger decking formats, raised systems offer the advantage of low-stress slab laying. In addition, they can be used almost independently of the weather and are lightweight - often a decisive criterion for roof terraces.

With the TerraMaxx® line, GUTJAHR has developed four different systems - from dry laying on stilt bearings to the use of frame systems and point fixing of slabs. Depending on the subfloor, construction height or type of covering we always offer planners and processors the optimum system solution for permanently beautiful balcony and terrace coverings.

## Know-how for over 30 years

More than 30 years ago, company founder Walter Gutjahr convinced architects, builders and fabricators of his invention, the capillary-passive drainage. Today, GUTJAHR is a recognized leader in drainage, ventilation and decoupling of coverings on balconies, (roof) terraces and outdoor stairs. Continuous development work results in unique, patented systems, which guarantee easy installation and permanently damage-free coverings even on problematic substrates.

# TerraMaxx® - SYSTEM SOLUTIONS FOR SUSPENDED COVERINGS



## TerraMaxx® TSL Easy height-adjustable, levelable dry stilt bearing

TerraMaxx® TSL is a tool-free height-adjustable and levelable dry stilt bearing. The completely pre-assembled stilt bearings enable quick and easy installation of terrace slabs and elements on balconies, (roof) terraces and other walkable surfaces, for installation heights from 25 mm to 500 mm (with extension element). With special foot geometry (Easy2wall) for installation close to walls.

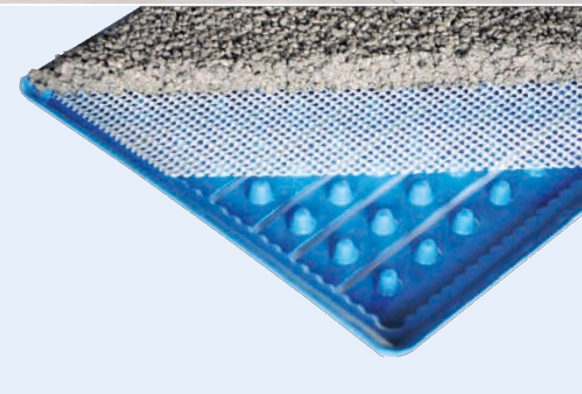
Page 6



## TerraMaxx® RS Aluminum frame system with screw connection technology

TerraMaxx® RS is a stable, lightweight aluminum substructure for the installation of balcony/patio coverings. The intelligent screw connection technology facilitates installation. The level subfloor is ideal for the installation of large-format slabs.

Page 8



## TerraMaxx® DS Capillary Passive Drain Stilt Bearing

TerraMaxx® DS is the first capillary refractive Drain stilt bearing system. The complete elevation of the drainage mortar prevents efflorescence and damp spots in the contact area of concrete/natural stone caused by accumulated water.

Page 10

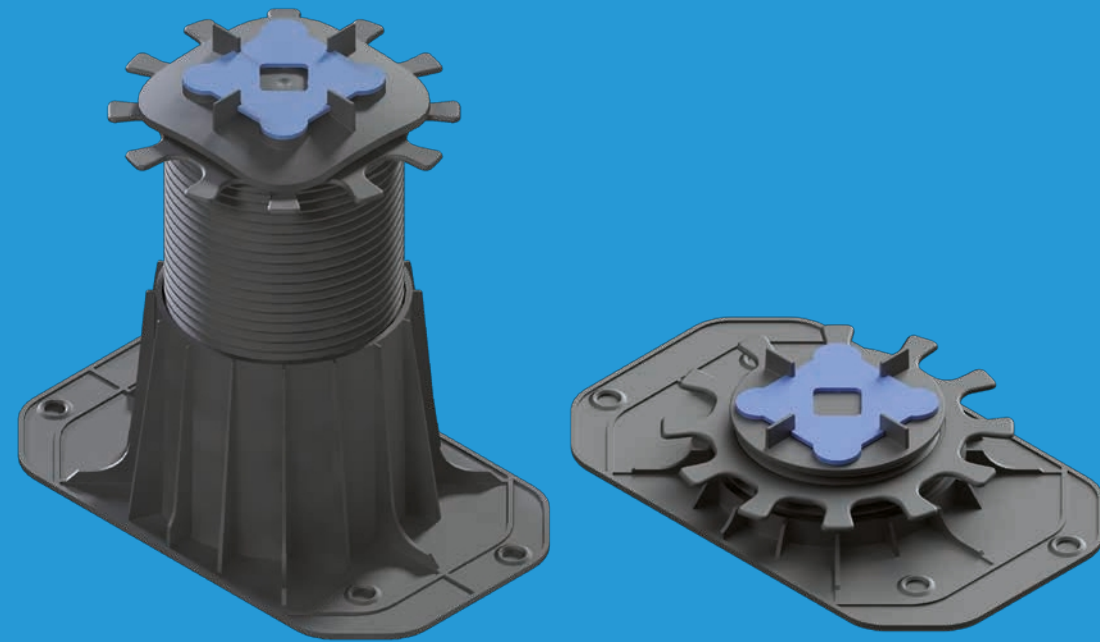


## TerraMaxx® PF laying system for point fixation

Self-laying sheets are glued to the AquaDrain® T+ surface drainage system with the TerraMaxx® PF-FM special fixing compound in points. The fixation prevents the migration and wobbling of the coverings and is ideal for lightweight ceramic elements in outdoor applications.

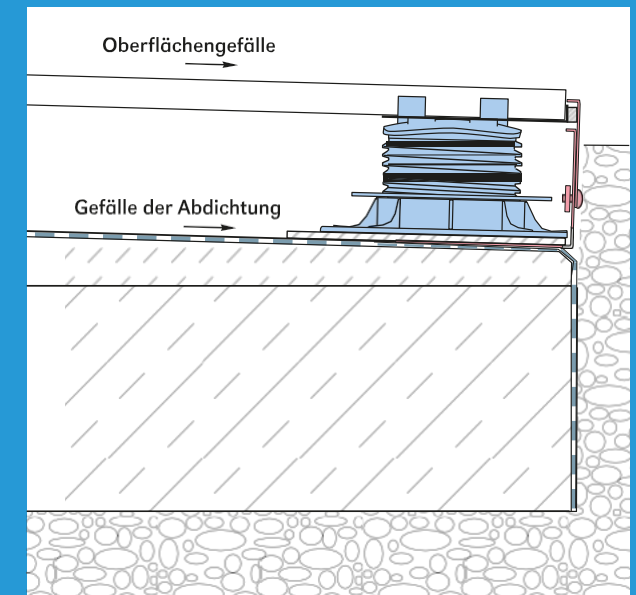
Page 12





## The pre-assembled, levelable pedestal

The completely pre-assembled pedestals enable quick and easy installation of slabs/elements on balconies, (roof) terraces and other walkable surfaces. Rainwater drains off through the open joints. Pipelines and floor drains can be hidden in the space between the decking and the subfloor and remain accessible. If necessary, individual slabs can be lifted and replaced.



### Height adjustable without tools

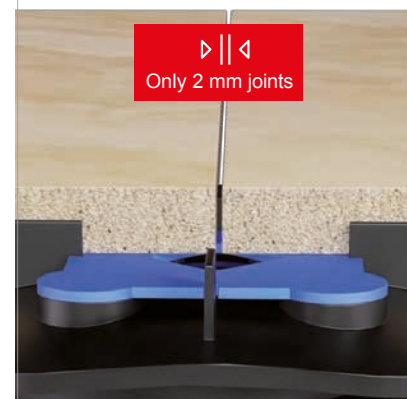
Height adjustment simple with threaded wheel. Adjustment range depending on variant from 25 -208 mm. With extension element another 85 mm up to max. 500 mm possible

### Levelable up to 9

TerraMaxx® TSL has a leveling head that makes it easy to level out overlap joints and unevenness in the substrate.



### Discreet joint look



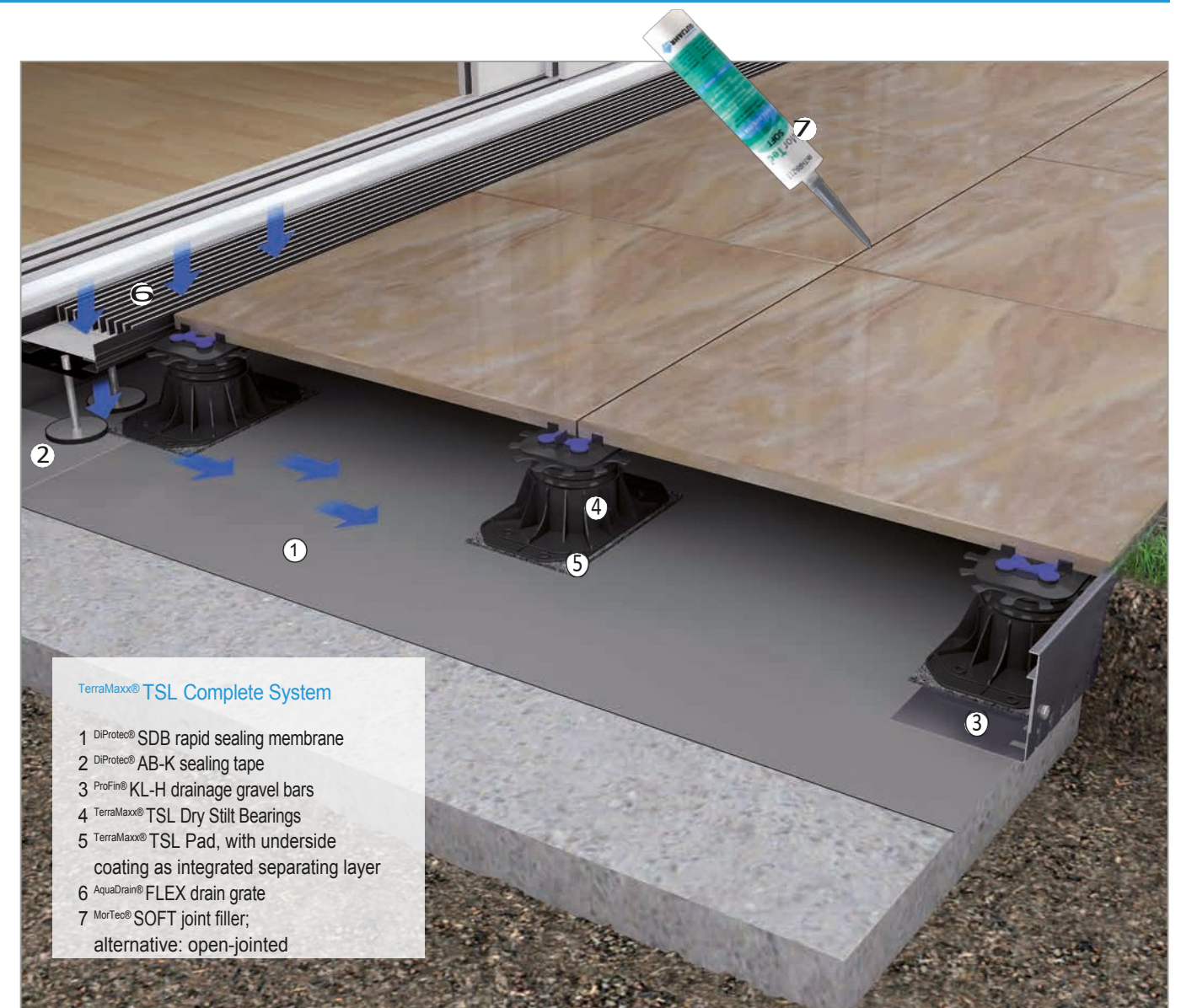
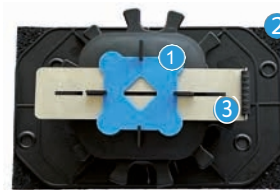
### Easy2wall

New foot geometry for installation close to the wall.



### Perfect in the system

- 1 Integrated rattle stop - for a more pleasant sound when walking on the surface
- 2 Coated rubber shot mat - protects the waterproofing and optimizes impact noise
- 3 Wall spacers - to protect adjacent components from mechanical damage.
- 4 Height adjustable gravel bars - from 61-150 mm. Also adjustable at an angle; ideal for wedge-shaped edge areas.
- 5 Up to +30dB impact sound improvement (test Rhine-Main University)



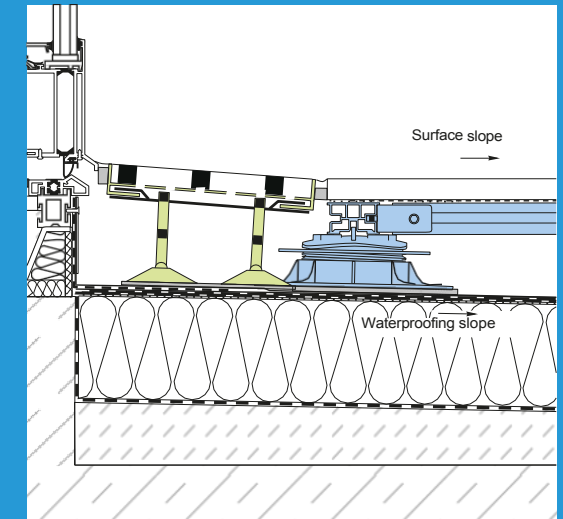
#### TerraMaxx® TSL Complete System

- 1 DiProtec® SDB rapid sealing membrane
- 2 DiProtec® AB-K sealing tape
- 3 ProFin® KL-H drainage gravel bars
- 4 TerraMaxx® TSL Dry Stilt Bearings
- 5 TerraMaxx® TSL Pad, with underside coating as integrated separating layer
- 6 AquaDrain® FLEX drain grate
- 7 MorTec® SOFT joint filler; alternative: open-jointed



## The aluminum frame system with intelligent screw connection technology

TerraMaxx® RS is a stable aluminum substructure for the installation of balcony and patio coverings made of ceramic, wood or a combination of both types of coverings. Thanks to its intelligent screw connection technology, the system saves processing time - because there is no need to pre-drill. TerraMaxx® RS can be installed on bonded and unbonded substrates in almost any can be used in all weather conditions. Due to the low weight and the low installation height from 35 mm plus covering, it is also particularly suitable for renovation.

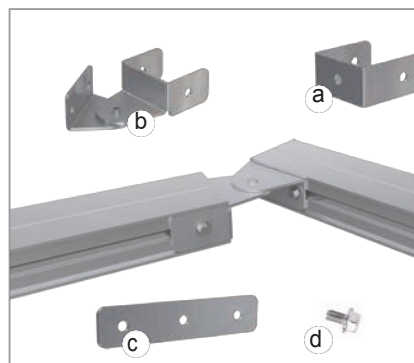


### Stable and lightweight

- Can be used on all substrates
- Flat, ideal for large formats

### Mortar-free laying without waiting times

Thanks to mortar-free dry laying, coverings on TerraMaxx® RS can be laid regardless of weather conditions and without drying times.



(a) T-joint connector (b) Articulated connector  
(c) longitudinal connector (d) stainless steel screw

### Time saving assembly

- No pre-drilling: Screws can simply be fastened in the threaded channel - at any point in the profile
- Corners do not have to be mitered
- Optional joint connector for non-rectangular terraces
- For the combination of wood /WPC and ceramics, plank fixes, spacers and compensation plates are available.



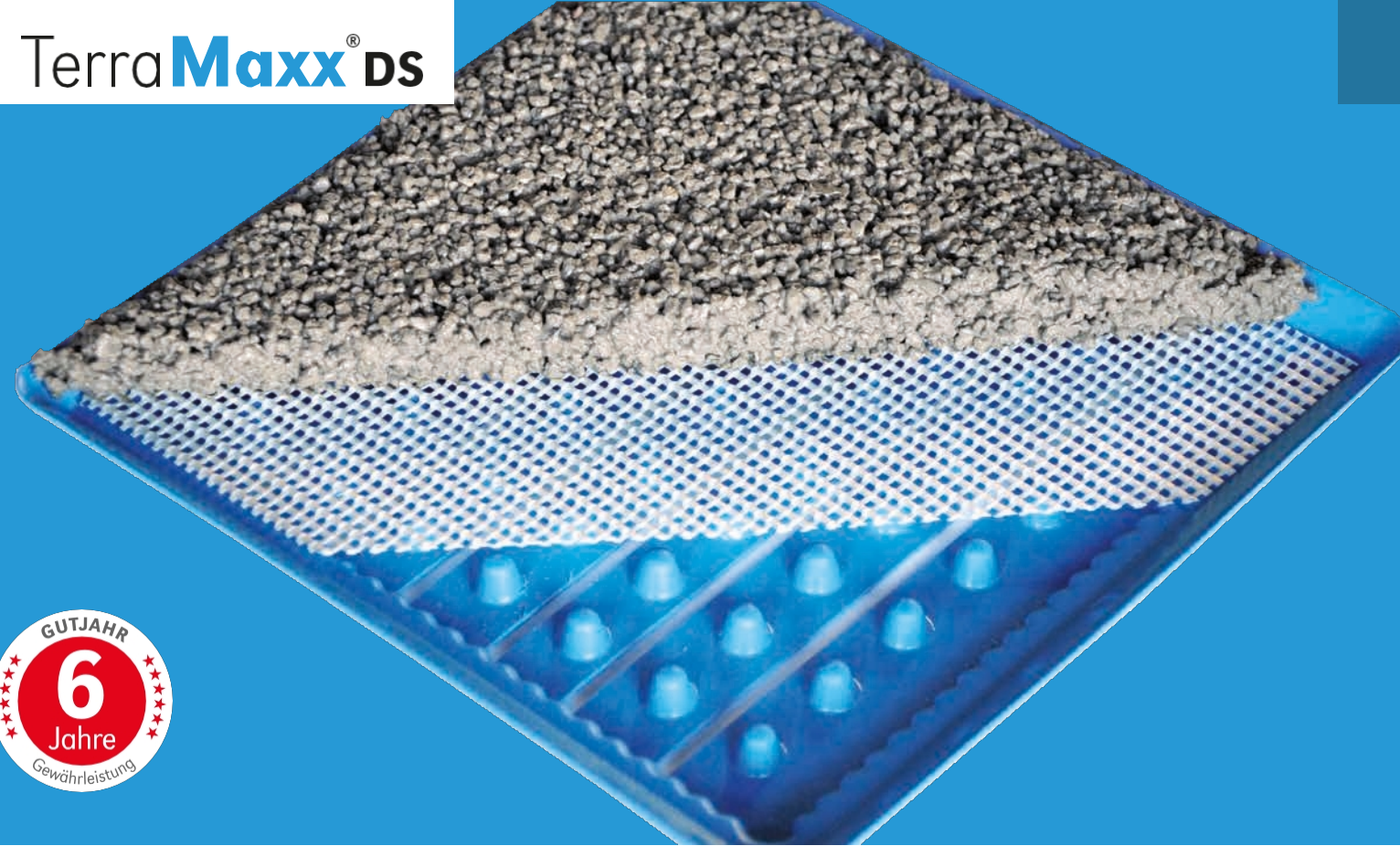
### Jointing with MorTec® SOFT

- Alternative joint filler for the formation of elastic, stress-reduced joints for bonded or stilted outdoor coverings
- Results in a homogeneous joint pattern and facilitates cleaning of the covering



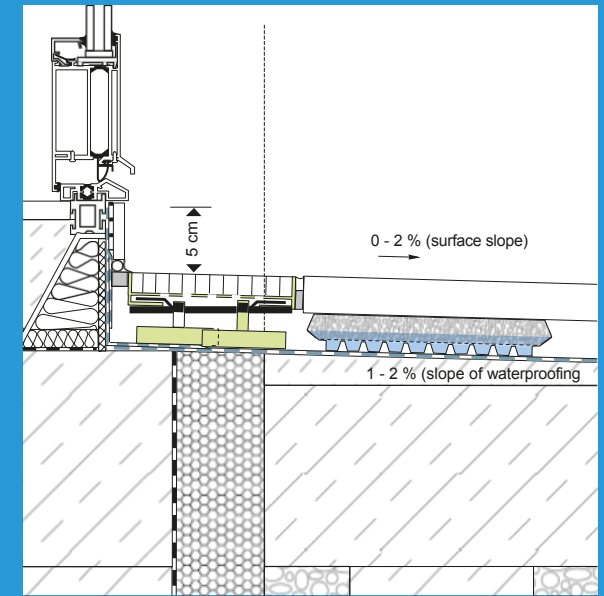
#### TerraMaxx® RS complete system

- |  |   |
|--|---|
| 1 DiProtec® KSK cold self-adhesive membrane DiProtec® KSK-AB | 7 TerraMaxx® RS aluminum frame system                   |
| 2 waterproofing tape   | 8 AquaDrain® FF Joint Cross                             |
| 3 ProFin® KL -H edge profile                                 | 9 MorTec® SOFT joint filler; alternatively: open joint) |
| 4 TerraMaxx® TSL Pad   | 10 AquaDrain® VARIO box channel                         |
| 5 TerraMaxx® TSL pedestal                                    |   |
| 6 TerraMaxx® PL Pedestal with Damping Layer                  |   |



## The capillary-passive drain stilt bearing

Self-laying slabs are laid point by point with drainage mortars on TerraMaxx® DS. Due to the 100% elevation of the drainage mortar, capillary rising water and associated long-lasting moisture stains avoided in the support area of natural and artificial stone. Height compensation rings allow for easy installation - even on uneven Waterproofing.



### In the system with MorTec® DRAIN-ZE drainage mortar

The combination of stilt bearing and drainage as well as MorTec® DRAIN-ZE cementitious drainage mortar results in a completely water-permeable system. This guarantees long-lasting safety against efflorescence and moisture stains for natural and artificial stone coverings.



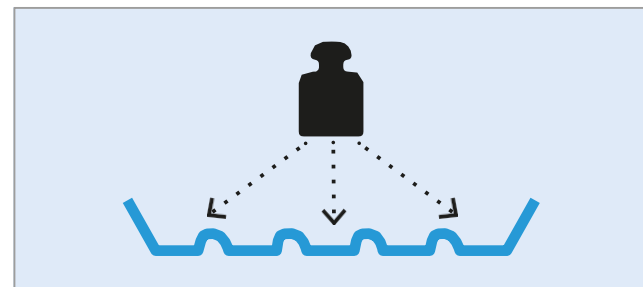
### Jointing with MorTec® SOFT

- Alternative joint filler for the formation of elastic, stress-reduced joints for bonded or stilted outdoor coverings
- Results in a homogeneous joint pattern and facilitates cleaning of the covering



### Simple height compensation

The TerraMaxx® DS-HA leveling rings enable a simple and quick formation of the pavement slope and a level compensation of up to 150 mm.

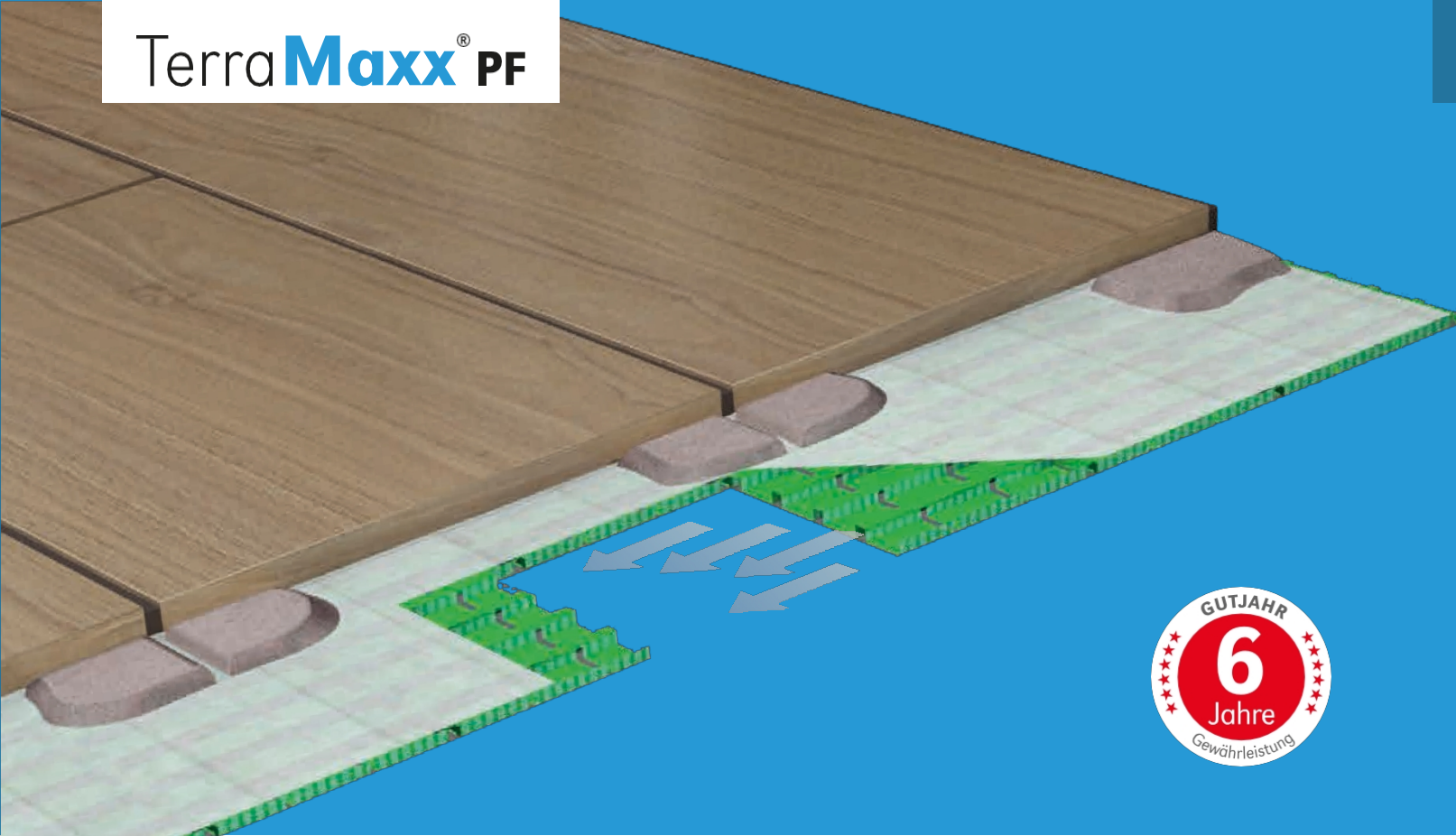


### Optimal load distribution

The contact area of 22 x 22 cm ensures favorable load distribution and thus protects the waterproofing against high point loads. Additional protective layers for the waterproofing are therefore not required.

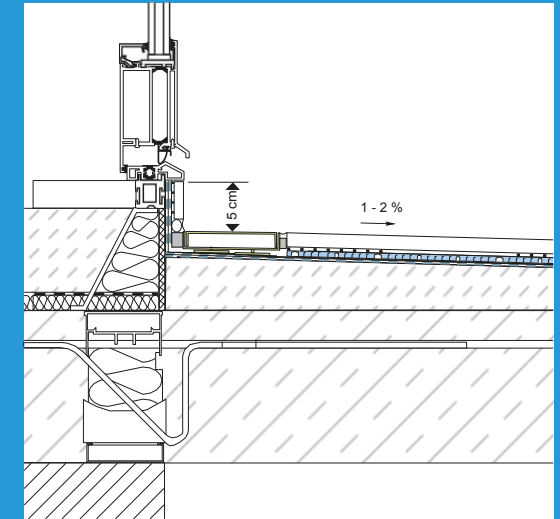


- The TerraMaxx® DS complete system**
- 1 Concrete slab
  - 2 DiProtec® SDB rapid sealing membrane
  - 3 AquaDrain® TR, reinforced separating layer
  - 4 TerraMaxx® DS Drain Pivot Bearing
  - 5 MorTec® DRAIN-ZE cementitious drainage mortar
  - 6 TerraMaxx® PF-FM Fixing Compound
  - 7 AquaDrain® TM drain grate
  - 8 MorTec® SOFT joint filler; alternative: open-jointed



## The installation system for the combination of loose and fixed installation

With the TerraMaxx® PF installation system, self-laying slabs are bonded to the AquaDrain® T+ surface drainage system using the TerraMaxx® PF-FM special fixing compound. Point fixation is ideal for laying thin, lightweight slabs. The loosely laid covering retains the characteristics of a firmly laid surface, i.e. no wobbling, no tilting, no wandering slabs. The optimal solution especially for ceramic elements.



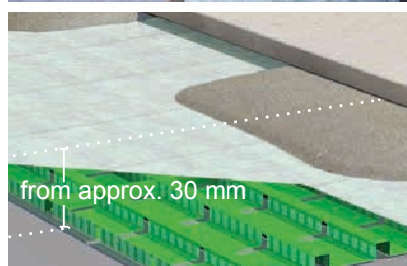
### Fixed coverings

Point fixing of self-supporting slabs with TerraMaxx® PF-FM special fixing compound ensures that large-format, lightweight coverings no longer wobble and tilt.



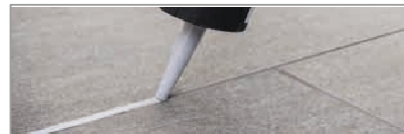
### Low build height

A complete structure is possible from approx. 30 mm incl. covering. This saves the TerraMaxx® PF Laying System Installation height and weight and is therefore ideal for Refurbishments.



### Grouting with MorTec® SOFT

- Alternative joint filler for the formation of elastic, stress-reduced joints for bonded or raised coverings
- Therefore no additional movement joints required
- Results in a uniform, homogenous joint appearance



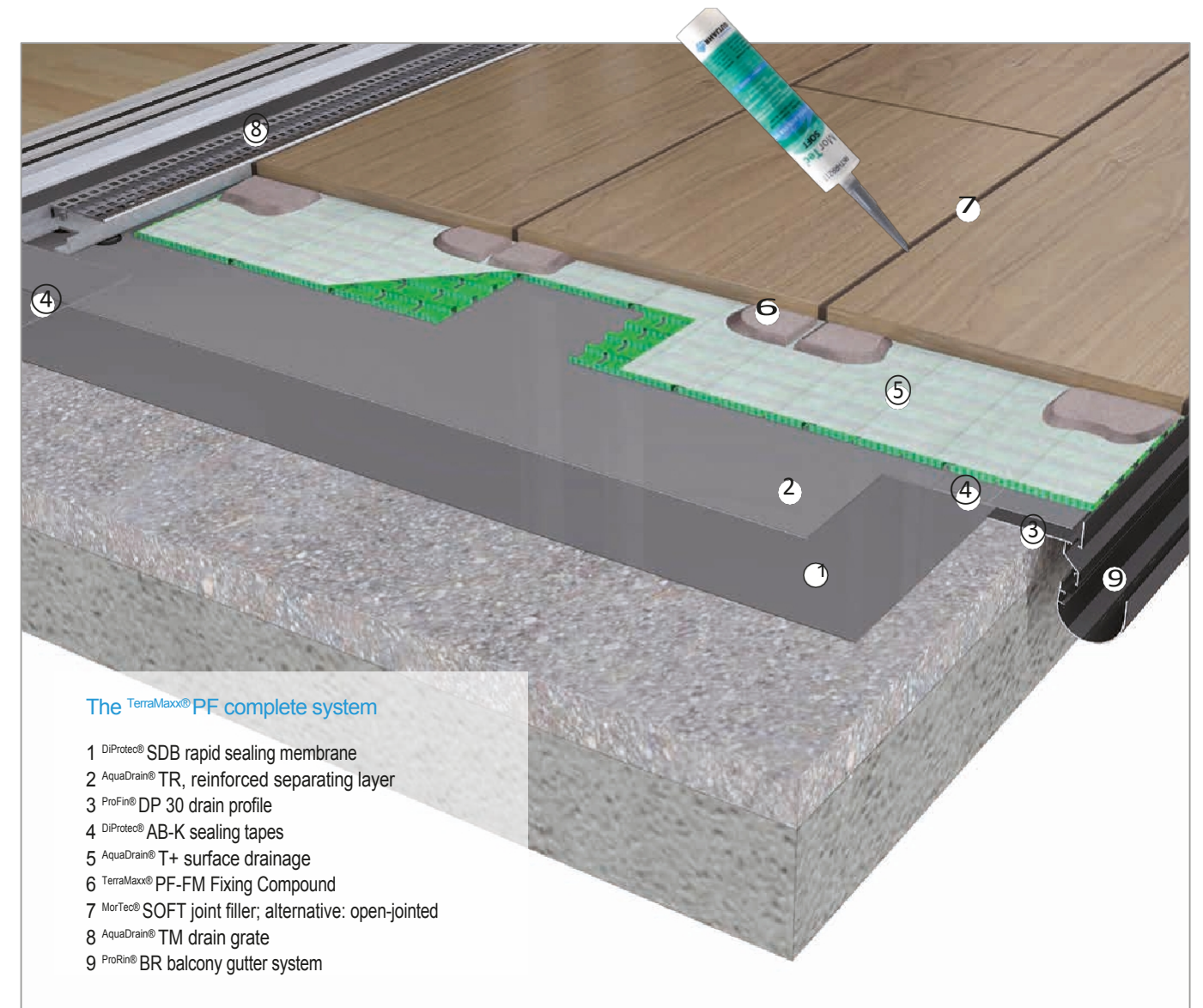
### Capillary breaking function

Due to the 100% elevation of the fixing points on the AquaDrain® surface drainage, a rewetting of the covering by backwater on the waterproofing is avoided. In combination with the GUTJAHR drain grates, the high-performance drainages also provide the optimum connection for convenient, threshold-free transitions.



### Up to +30 dB impact sound improvement

According to a study by the Laboratory for Building Acoustics at the Rhine-Main University of Applied Sciences, the use of TerraMaxx® PF reduces impact sound by up to +30 dB.

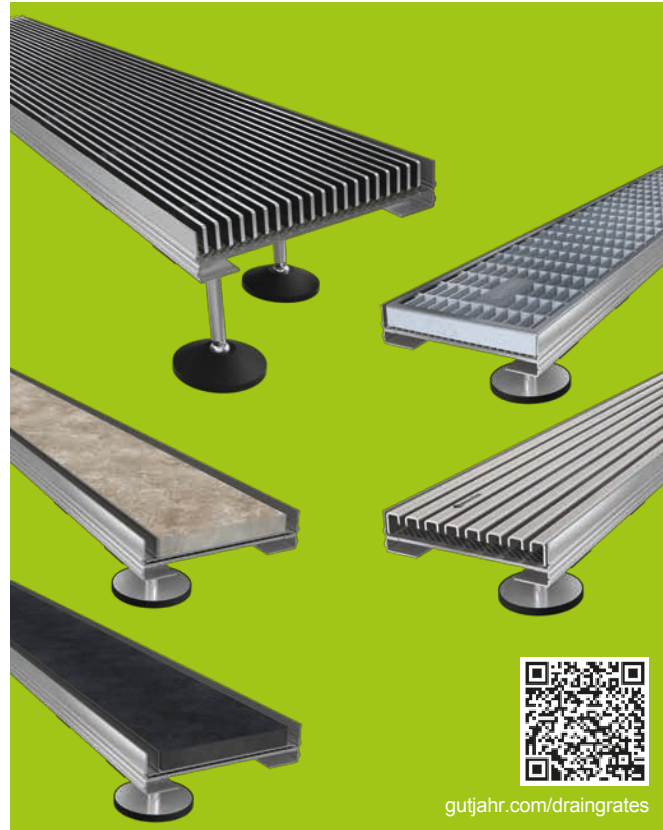


#### The TerraMaxx® PF complete system

- 1 Di Protec® SDB rapid sealing membrane
- 2 AquaDrain® TR, reinforced separating layer
- 3 ProFin® DP 30 drain profile
- 4 Di Protec® AB-K sealing tapes
- 5 AquaDrain® T+ surface drainage
- 6 TerraMaxx® PF-FM Fixing Compound
- 7 MorTec® SOFT joint filler; alternative: open-jointed
- 8 AquaDrain® TM drain grate
- 9 ProRin® BR balcony gutter system

# OPTIMALLY COORDINATED SYSTEM COMPONENTS - FOR A MAXIMALLY SAFE COMPLETE SYSTEM

## Drainage grate systems systems



gutjahr.com/draingrates

Tailor-made, patented drain grate systems for door connections that comply with regulations

- Maximum drainage performance due to drain grate open at the bottom in the system with AquaDrain® drainages and TerraMaxx® stilt bearing systems.
- Easy, precise alignment at floor covering level due to steplessly adjustable swivel feet from above.
- Protection against sooting due to integrated dirt grid. Prevents dirt from falling into the drain grate and thus ensures the permanent drainage performance of the drain grate and drainage.
- Time and cost-saving cutting to length, simple and variable, directly on the construction site.
- Ramp-like, stepless adjustability enables barrier-free thresholds without the risk of water backing up (AquaDrain® BF-FLEX).

## Waterproofing

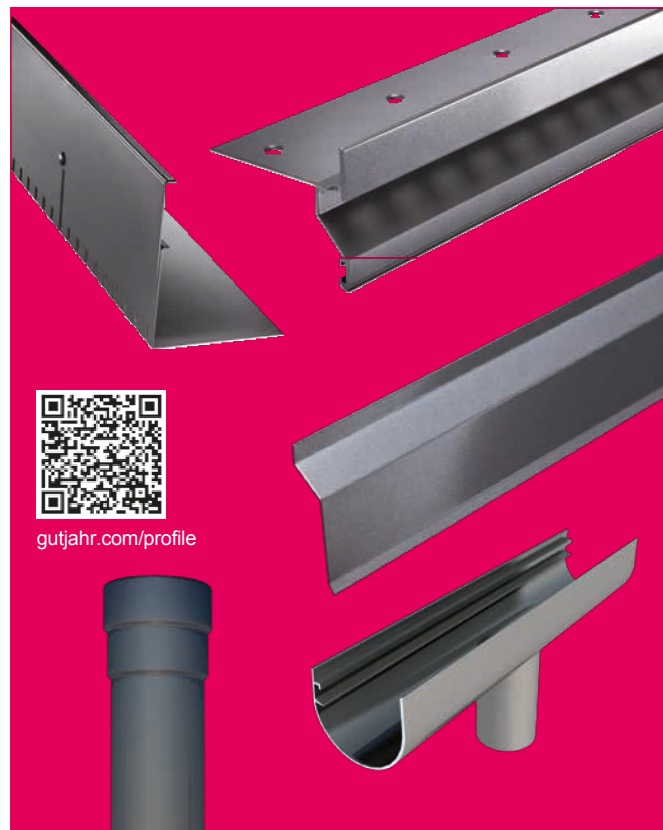


gutjahr.com/sealings

Loosely laid, highly tear-resistant plastic quick-sealing membrane for all drainage systems and stilt bearings

- Can be used as a membrane waterproofing under all GUTJAHR drainage systems and under TerraMaxx® elevated systems on balconies and terraces, as well as under TerraMaxx® stilt bearing systems.
- Fast, loose laying - substrate preparation, priming and drying times are thus eliminated.
- Safe processing due to defined thickness of approx. 2 mm.
- Integrated vapor pressure equalization fleece on the underside. Can therefore also be used on damp substrates or old tile coverings.
- Self-adhesive DiProtec® AB system sealing tapes for simple and secure butt joints, profile connections and wall connections. Direct connection to Gutjahr system profiles possible without prior filling of the profile joints.
- DiProtec® FLK liquid plastic waterproofing: For perfect connection of the DiProtec® SDB rapid waterproofing membrane to railing posts, penetrations, door flanges, various materials, e.g. wood, plastic, metal, bitumen, as well as for waterproofing deeper line drainage systems. (e.g. in front of parapets).

## Edge drainage systems



gutjahr.com/profile

Targeted, rule-based edge drainage of balconies

- Secure connection of the sealing to edge profiles. Unpunched profile legs guarantee optimum adhesion of the special, self-adhesive DiProtec® AB system sealing tapes.
- Profiles with concealed drainage - so seepage water does not leave unsightly lime and dirt deposits on the profile.
- Drain profiles and clip-on panels in the modular system, allowing 12 construction heights with only 6 products. The decoupling of profile and trim prevents damage to the sealing layer due to thermally induced shear stresses.
- Direct-hanging balcony gutters made of high-quality, powder-coated aluminum makes the balcony gutters particularly light, attractive and durable in value.
- Prefabricated plug-in aluminum downpipes make installation simple, flexible and clean.
- Height and slope adjustable gravel bars for heights from 61 - 150 mm. Due to the adjustment in the slope ideal for wedge-shaped edge areas (surface slope  $\neq$  sealing slope).

## Adhesives and mortar



gutjahr.com/glue

MorTec® drainage mortar systems and the joint from the tube

- MorTec® DRAIN-ZE Cementitious drainage mortar  
MorTec® DRAIN-ZE is a cementitious dry ready-mixed mortar for the production of water-permeable base layers and for the bedding of ceramic, natural and artificial stone coverings in outdoor areas.
- MorTec® Drain-EP Thin-layer EP drainage mortar system  
reduces the required structure height by at least 25 mm compared to mineral drainage mortar systems (approx. 50 -70 mm structure height). It is therefore ideal for refurbishment or where there is a lack of structure height.
- MorTec® SOFT The joint from the tube  
Special joint filler with fine-grain structure for elastic, stress-reduced joints in large-format outdoor coverings and composite installations



Your GUTJAHR partner dealer:

GUTJAHR  
System technology GmbH

Philipp-Reis-Strasse 5-7  
D-64404 Bickenbach  
Tel.: +49 (0) 6257 9306-0  
Fax: +49 (0) 6257 9306-31

info@gutjahr.co  
m  
www.gutjahr.com

Visit us at

 facebook.com/gutjahr.systemtechnik

 youtube.com/gutjahrbausysteme

 instagram.com/gutjahr\_systemtechnik/

Partner in the **FACHVERBAND  
FLIESEN  
UND NATURSTEIN**  
im Zentralverband des Deutschen Baugewerbes



Sicher besser.  
**GUTJAHR** 